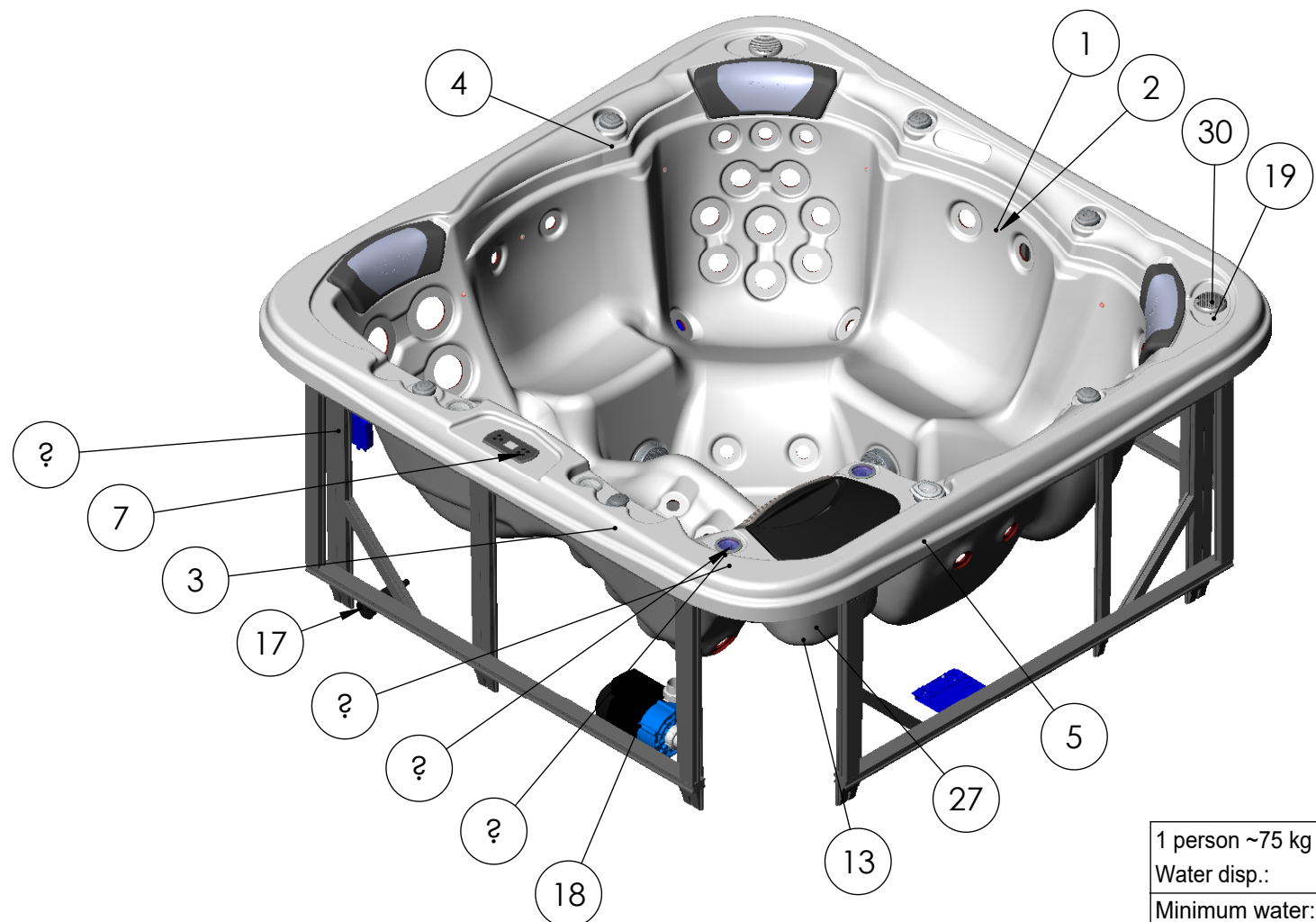
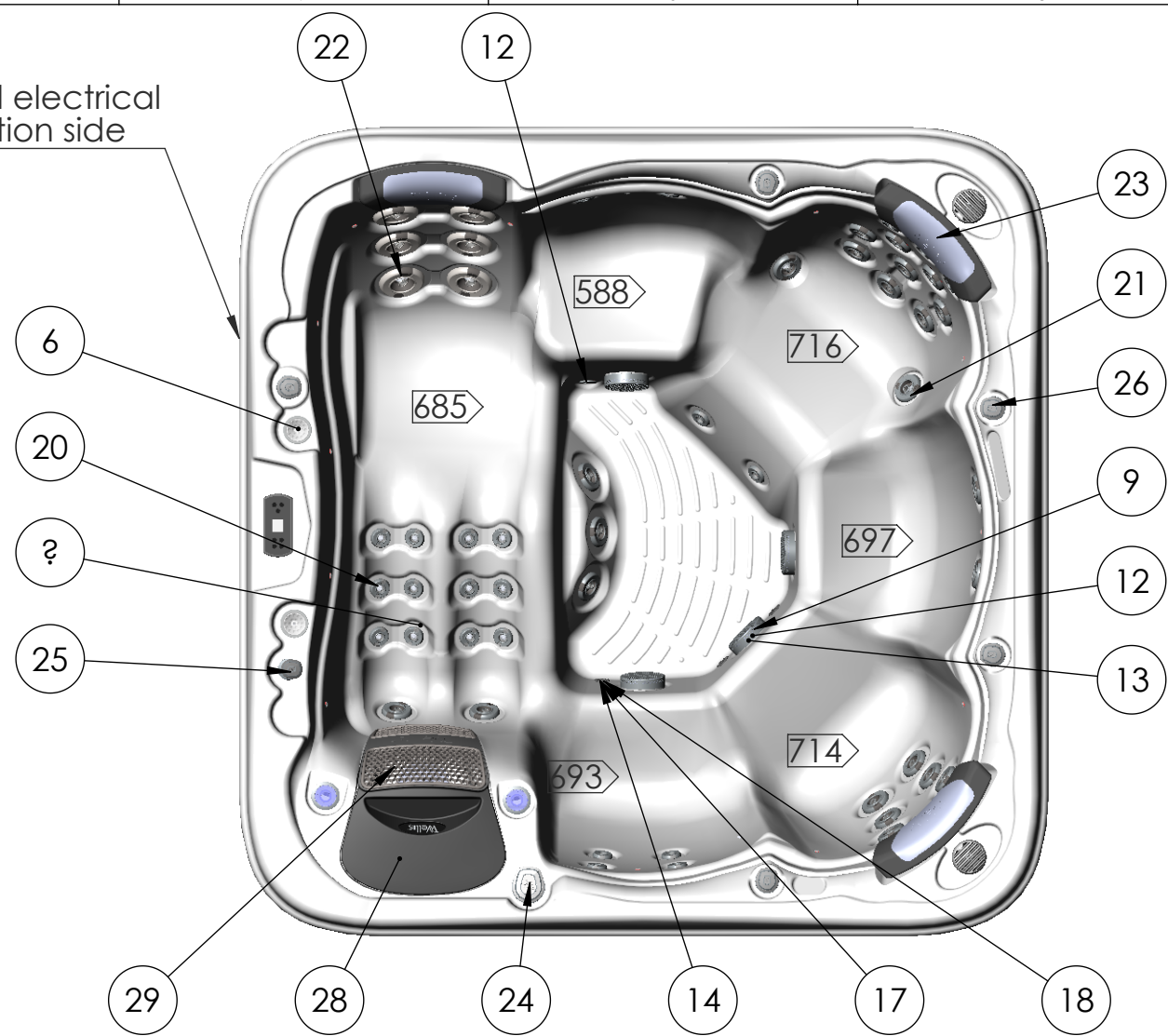
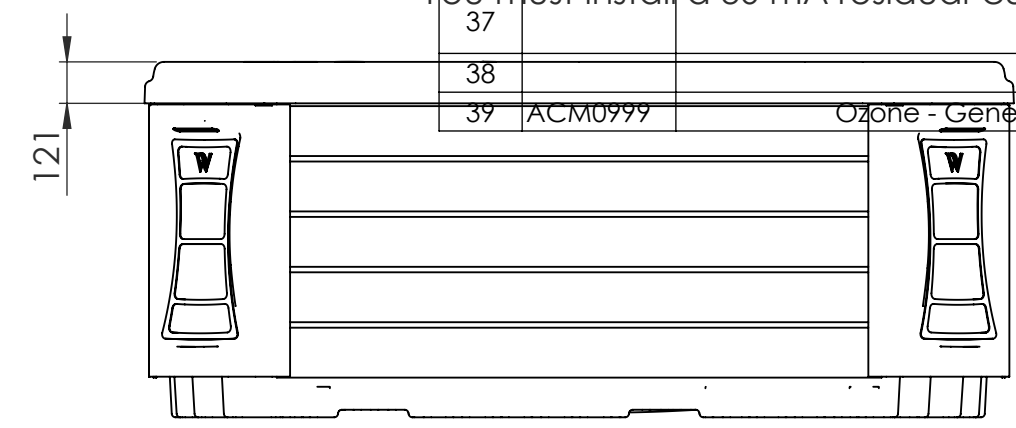


Suggested electrical connection side



No.	Art. No.	IFS Name	Pcs
1	AKU2218	Led housing with seal	13
2	AKU2219	Nut for ledhouse	13
3	AKU1893	On-Off tap house 33 transparent V2	1
4	AKU1892	Air Regulator - house led lighted V2	5
5	AKU1891	Water Diverter 60 - LED lighted V2	1
6	AKU0056	Cup Holder Light lens light bule/transparent	2
7	ACM0959	Control Panel - IN.K500 GECKO	1
8	ASE0359		16
9	ABE0505	Suction 2" chrome thick with seal V2	4
10	AJ00244	Sealing for self adjusting suction head nut	4
11	AJ00243	Self adjusting nut for suction head	4
12	AJ00169	Jet - 20 SB - Ozone 90°	1
13	AKU1840	Filter holder - 48 mm	3
14	AJ00247	Jet water ciculation self-leveling	3
15	AJ00245	Jet water circulation self-levelling nut	3
16	AJ00246	Sealing for jet water circulation	3
17	AKU0084	Water Drain - 20 RB V2	1
18	ACM0846	Circulation pump WTC50M 250 W 0.33 Hp	1
19	ACM0874	Speaker 3" (2 way)	2
20	AJ00214	Jet 2" - transparent 1 Hole transparent V3 Wellis	23
21	AJ00216	Jet 3" - transparent 1 Hole V3 Wellis	23
22	AJ00218	Jet 5" - transparent 1 Hole transparent V3 Wellis	6
23	AF00060	Pillow 420x160x75 (ROB) Wellis two colours	3
24	AKU1894	Water Diverter - Grip Wellis V2	1
25	AKU1896	On-off tap grip Wellis V2	1
26	AKU1895	Air regulator grip Wellis V2	5
27	AKU1609	Spa Filter - 175 x 152 - Myline white (coarse thread)	3
28	AKU1833	Filter House - Skimmer Cover grey with Wellis logo	1
29	AKU1835	Skimmer house light grey	1
30	ACM0875	Grille for speaker 3" (2 way)	2
31	AKU0044	Water Pop-Up fountain	2
32	ABE0311		1
33	ABE0541	Pump console upper part	2
34	ASE0011-K		2
35			3
36			448
37			9.6
You must install a 30 mA residual-current device (RCD).			544
38			0.4
39	ACM0999	Ozone - Generator P54 100 mA	2
			1



Product family: **Wellis\CityLine**

Sheet name: Kilimanjaro standard spa		Projection		
File name: FJ_WM00723_ENG_Kilimanjaro standard_medence				
Dimension SPA: 2300x2300x940 mm		Min.El. nds: 230 V - 1x25A - 50Hz / Opt.El. needs: 400V - 3x16A - 50Hz		
Weight of the SPA: 387 kg	Raklap 2350x980x145 - AE00423	Control box: GECKO IN.YE3 + IN.K500 (3 kW)		
Rim height: 121 mm	Approved by: Loszteiner Sándor	Pr. No: P-10000	Number: WM00723	C
Minimum water: 1500 liter	Created: 2022. 02. 09.	Fe. No: F-0000652	Drawer: loszteiner.sandor - 2021. 07. 13. 9:44:22	A3 M 1:20 page 1 / 2

1 person ~75 kg
 Water disp.: **450 kg**
 Minimum water: **1500 liter**

INSTALLATION INSTRUCTIONS

Installation, connection and electrical installation can be done only by professionals!

The given dimensions are for information only, they can differ in reality than written on the drawings, due to the manufacturing technology of the pools.

ATTENTION!

Pools are installed only when electric shock protection compliance of the installed residual-current device is stated by the installation personnel in written form.

COMMISSIONING INSTRUCTIONS

1. Preparation of the area

a. Interior/Basement

In case of placing the pool inside a building take in consideration the following requirements: The base must have a proper drain channel to prevent water collecting around the pool.

If building a new place for the pool, it is strongly recommended to install a floor drain to prevent damage due to water overflow or mechanical failure, etc.

If no floor drain is installed, our Company takes no responsibility for occurring damages.

Inside the room, where the pool is installed, humidity can highly increase. To prevent precipitating water and occurrence of fungus, proper ventilation of the room is highly recommended.

It is recommended to install a dehumidifier device in the room.

b. Outdoor/Closed terrace

For proper installation of the pool, a **solid, horizontal** base is essential. Make sure that the pool is properly supported.

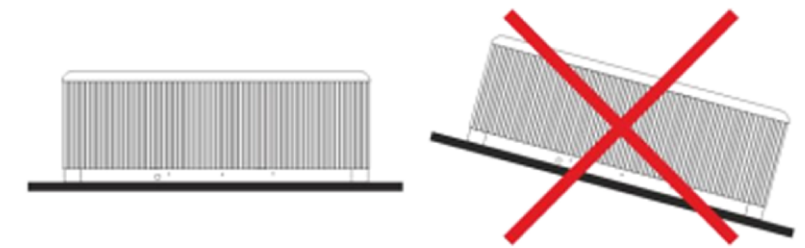
You must know the load capacity of the base.

Consult a specialist in architecture or a static engineer.

You can find the weight, contents and parts of the pool on the data table.

This weight should not exceed the calculated static capacity, otherwise damage can occur on the pool or base.

If the pool is installed outdoor, it is recommended to build a horizontal, reinforced concrete base with min. 10-15 cm thickness.



It is appropriate to make the drain channel in the base on the drain side of the pool. Its purpose is to take away splash water around the pool, or drain the released water.

It is also necessary to provide water drainage in the manhole.

The manhole should also ventilate properly. It is recommended to install an exhaust fan or other ventilation device.

Do not expose the empty pool to direct sunlight without adequate protection (pool cover). The long lasting sunlight can damage the surface of the pool or other accessories.

The acrylic surface quickly absorbs the heat from sunlight. Due to high surface temperature, the pool may be damaged.

In case the pool is installed between glass walls, prevent sunlight directly reaching the pool through the glass. Otherwise temperature can get very high.

2. Installation of the pool

When the pool is built-in (lowered into the ground), it is necessary to build a min. 60 cm wide manhole around the pool, to provide space for maintenance works.

When lowering the pool, **the acrylic side must be above the ground.** When not fulfilling these conditions, installation may fail!

The incurring cost of a possible lifting operation is borne by the customer!

3. Electrical installation

You must install a circuit breaker dedicated only for the pool, no other devices allowed to connect.

Cable length/cross-section specifications:

- Minimal demand: Until **10 m cable length: 1x16 A, 3x2.5 mm² cabling (230V)** - in this case the 3 HP motor and the heating CAN'T work simultaneously.

- Total demand: Until **10 m cable length: 1x25 A, 3x4 mm² cabling (230V)** - in this case the 3 HP motor and the heating CAN work simultaneously.

- If more than 10 m of cable is needed, consult a specialist.

- Installing the cables is recommended through the bottom cover (tray) by drilling a hole and using a cable gland. Recommended direction is shown on the drawing. Min. cable length for installation is 3 m.

- The exact way of electrical installation is always unique, highly dependant on the location and environment of the pool.

Additional electrical installation (cable, circuit breaker and residual-current device) is the customer's responsibility.

These parts are not included in the pool packaging, need to be purchased separately.

Every pool has a dedicated installation drawing.

Make sure that the pool is connected to a 30 mA residual-current device.

Use copper wiring only.

If a fuse fails, replace it only with same type of fuse with same technical parameters.

The device must be connected to the house's Equipotential Bonding Grid.

Product family: **Wellis\CityLine**

Sheet name: INFO	Projection	
File name: FJ_WM00723_ENG_Kilimanjaro standard_medence		
Dimension SPA: 2300x2300x940 mm	Min.El. nds: 230 V - 1x25A - 50Hz / Opt.El. needs: 400V - 3x16A - 50Hz	
Weight of the SPA: 387 kg	Raklap 2350x980x145 - AE00423	Control box: GECKO IN.YE3 + IN.K500 (3 kW)
Rim height: 121 mm	Approved by: Losteiner Sándor	Pr. No: P-10000 Fe. No: F-0000652
Number: WM00723	C	
Created: 2022. 02. 09.	Drawer: losteiner.sandor - 2021. 07. 13. 9:44:22	A3 M 1:15
		page 2 / 2

1 person ~75 kg	
Water disp.: 450 kg	
Minimum water: 1500 liter	