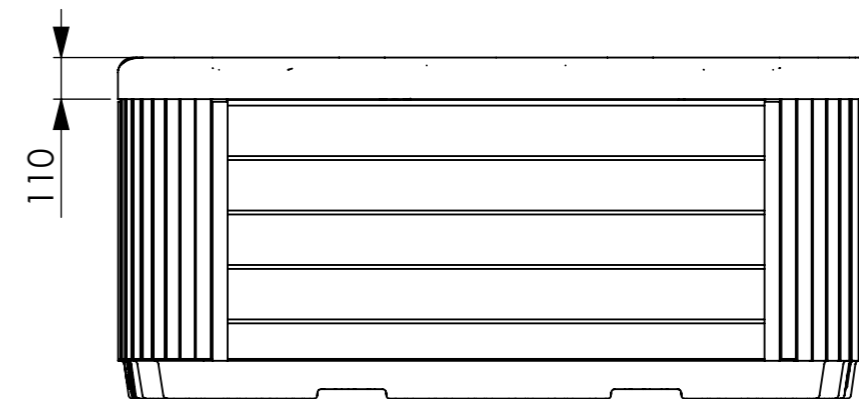
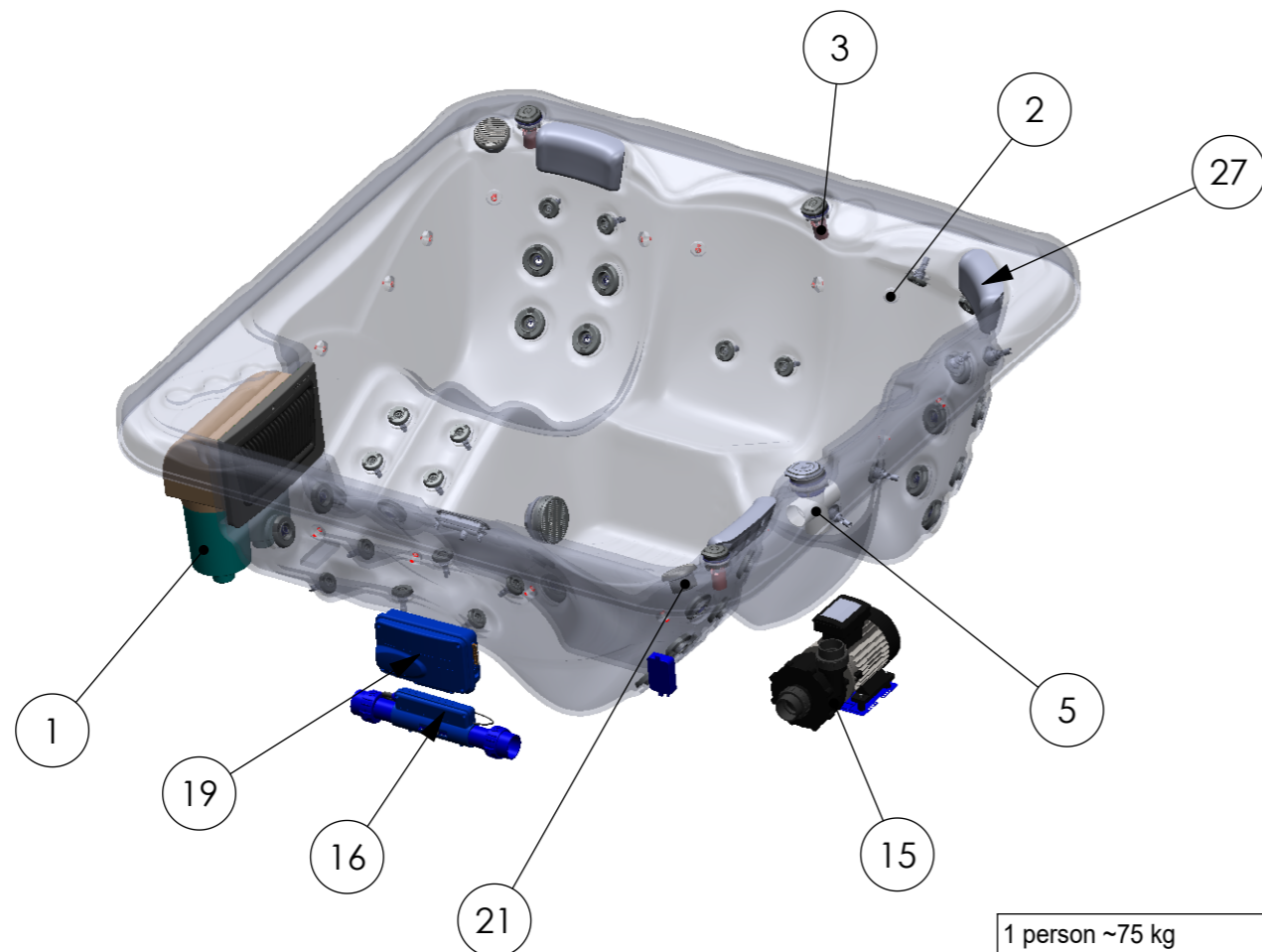
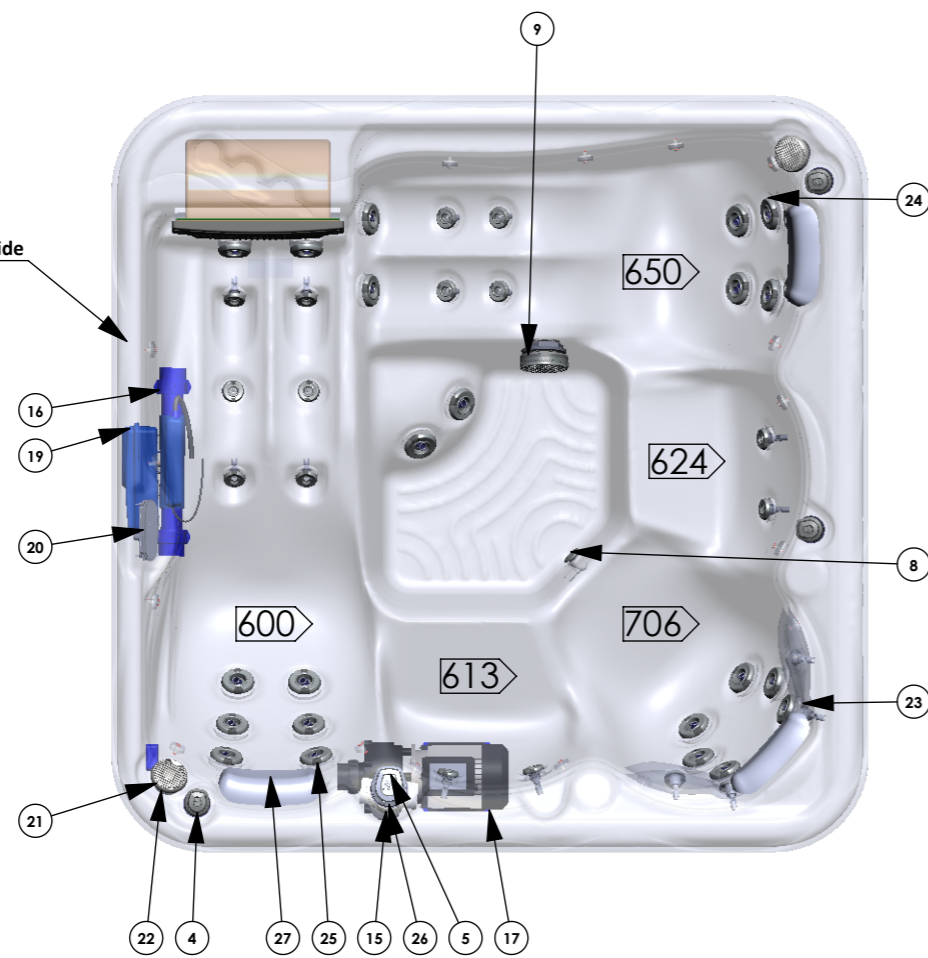


Suggested electrical connection side



Item	Part number	IFS Name EN	Pc
1	AM01214	Filter House - wall two filters V2	1
2	AKU2099	Led Light - Lens V2	16
3	AKU1892	Air Regulator - house led lighted V2	3
4	AKU1895	Air regulator grip Wellis V2	3
5	AKU1891	Water Diverter 60 - LED lighted V2	1
6	AF00045	pillow holder	6
8	AJ00169	Jet - 20 SB - Ozone 90°	1
9	ABE0505	Suction 2" chrome thick with seal V2	1
10	AJ00244	Sealing for self adjusting suction head nut	1
11	AJ00243	Self adjusting nut for suction head	1
14	ASE0006-K	Woodscrew - 4 x 70	8
15	ACM0394	Spa Pump 3/0.6 HP - Two Speed	1
16	ACM0996	Heater - 2000 W	1
17	ABE0541	Pump console upper part	1
18	ACM0999	Ozone - Generator P54 100 mA	1
19	ACM0754	Control BOX - IN.YJ-2	1
20	ACM0759	Control Panel IN.K300 - One Pump	1
21	ACM0874	Speaker 3" (2 way)	2
22	ACM0875	Grille for speaker 3" (2 way)	2
23	AJ00214	Jet 2" - transparent 1 Hole transparent V3 Wellis	20
24	AJ00217	Jet 3" - transparent 1 Hole Rotation transparent V3 Wellis	6
25	AJ00216	Jet 3" - transparent 1 Hole V3 Wellis	16
26	AKU1894	Water Diverter - Grip Wellis V2	1
27	AF00062	Pillow 280x145x85 light grey	3

Product family: **Wellis\MyLine**

Sheet name: <b>Pluto P&amp;P spa</b>		Projection			
File name: <b>FJ_WM00569_ENG_Pluto P&amp;P medence</b>					
Dimension SPA: <b>2000x2000x890 mm</b>		Min.El. nds: <b>230 V - 1x16A - 50Hz / Opt.El. needs: 230V - 1x16A - 50Hz</b>			
Weight of the SPA: <b>247 kg</b>		<b>Raklap 2100x880x145 - AE00091</b>		<b>Control box: GECKO YJ2+K300 - 2KW</b>	
Rim height: <b>110 mm</b>		Approved by: <b>Loszteiner Sándor</b>		Pr. No: <b>WM00569</b>	
Minimum water: <b>956 liter</b>		Created: <b>2022. 05. 09.</b>		Fe. No: <b>C</b>	
		Drawer: <b>losteiner.sandor - 2022. 05. 09. 12:00:03</b>		Number: <b>WM00569</b>	
				A3 M 1:20 page 1 / 2	

1 person ~75 kg  
 Water disp.: **375 kg**  
 Minimum water: **956 liter**

## INSTALLATION INSTRUCTIONS

Installation, connection and electrical installation can be done only by professionals!

The given dimensions are for information only, they can differ in reality than written on the drawings, due to the manufacturing technology of the pools.

### ATTENTION!

Pools are installed only when electric shock protection compliance of the installed circuit breaker is stated by the installation personnel in written form.

## COMMISSIONING INSTRUCTIONS

### 1. Preparation of the area

#### a. Interior/Basement

In case of placing the pool inside a building take in consideration the following requirements: The base must have a proper drain channel to prevent water collecting around the pool.

If building a new place for the pool, it is strongly recommended to install a floor drain to prevent damage due to water overflow or mechanical failure, etc.

If no floor drain is installed, our Company takes no responsibility for occurring damages.

Inside the room, where the pool is installed, humidity can highly increase. To prevent precipitating water and occurrence of fungus, proper ventilation of the room is highly recommended.

It is recommended to install a dehumidifier device in the room.

#### b. Outdoor/Closed terrace

For proper installation of the pool, a **solid, horizontal** base is essential. Make sure that the pool is properly supported.

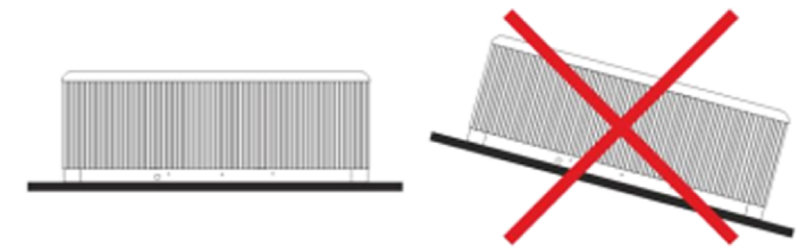
You must know the load capacity of the base.

Consult a specialist in architecture or a static engineer.

You can find the weight, contents and parts of the pool on the data table.

This weight should not exceed the calculated static capacity, otherwise damage can occur on the pool or base.

**If the pool is installed outdoor, it is recommended to build a horizontal, reinforced concrete base with min. 10-15 cm thickness.**



It is appropriate to make the drain channel in the base on the drain side of the pool. Its purpose is to take away splash water around the pool, or drain the released water.

It is also necessary to provide water drainage in the manhole.

The manhole should also ventilate properly. It is recommended to install an exhaust fan or other ventilation device.

Do not expose the empty pool to direct sunlight without adequate protection (pool cover). The long lasting sunlight can damage the surface of the pool or other accessories.

The acrylic surface quickly absorbs the heat from sunlight. Due to high surface temperature, the pool may be damaged.

In case the pool is installed between glass walls, prevent sunlight directly reaching the pool through the glass. Otherwise temperature can get very high.

### 2. Installation of the pool

When the pool is built-in (lowered into the ground), it is necessary to build a min. 60 cm wide manhole around the pool, to provide space for maintenance works.

When lowering the pool, **the acrylic side must be above the ground.** When not fulfilling these conditions, installation may fail!

The incurring cost of a possible lifting operation is borne by the customer!

### 3. Electrical installation

**You must install a circuit breaker dedicated only for the pool, no other devices allowed to connect.**

#### Cable length/cross-section specifications:

- Minimal demand: Until **10 m cable length: 1x16 A, 3x2.5 mm<sup>2</sup> cabling (230V)** - in this case the 3 HP motor and the heating CAN'T work simultaneously.

- Total demand: Until **10 m cable length: 1x25 A, 3x4 mm<sup>2</sup> cabling (230V)** - in this case the 3 HP motor and the heating CAN work simultaneously.

- If more than 10 m of cable is needed, consult a specialist.

- Installing the cables is recommended through the bottom cover (tray) by drilling a hole and using a cable gland. Recommended direction is shown on the drawing. Min. cable length for installation is 3 m.

- The exact way of electrical installation is always unique, highly dependant on the location and environment of the pool.

- If the pool is P&P it contains 5m cable with connector.

Additional electrical installation (cable, circuit breaker) is the customer's responsibility.

These parts are not included in the pool packaging, need to be purchased separately.

Every pool has a dedicated installation drawing.

Use copper wiring only.

If a fuse fails, replace it only with same type of fuse with same technical parameters.

The device must be connected to the house's Equipotential Bonding Grid.

Product family: **Wellis\MyLine**

Sheet name: <b>INFO</b>		Projection	
File name: <b>FJ_WM00569_ENG_Pluto P&amp;P medence</b>			
Dimension SPA: <b>2000x2000x890 mm</b>		Min.El. nds: <b>230 V - 1x16A - 50Hz / Opt.El. needs: 230V - 1x16A - 50Hz</b>	
Weight of the SPA: <b>247 kg</b>		<b>Raklap 2100x880x145 - AE00091</b>	<b>Control box: GECKO YJ2+K300 - 2KW</b>
Rim height: <b>110 mm</b>		Approved by: <b>Losteiner Sándor</b>	Pr. No: Fe. No:
Minimum water: <b>956 liter</b>		Created: <b>2022. 05. 09.</b>	Number: <b>WM00569</b>
		Drawer: <b>losteiner.sandor - 2022. 05. 09. 12:00:03</b>	<b>A3</b> <b>M 1:15</b> <b>page 2 / 2</b>